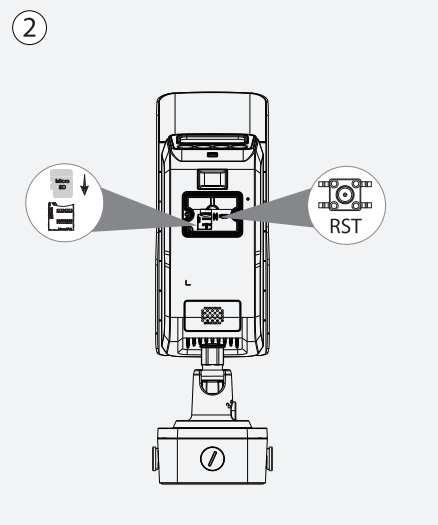
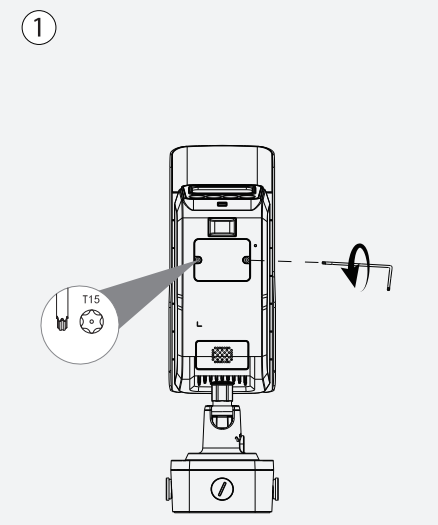
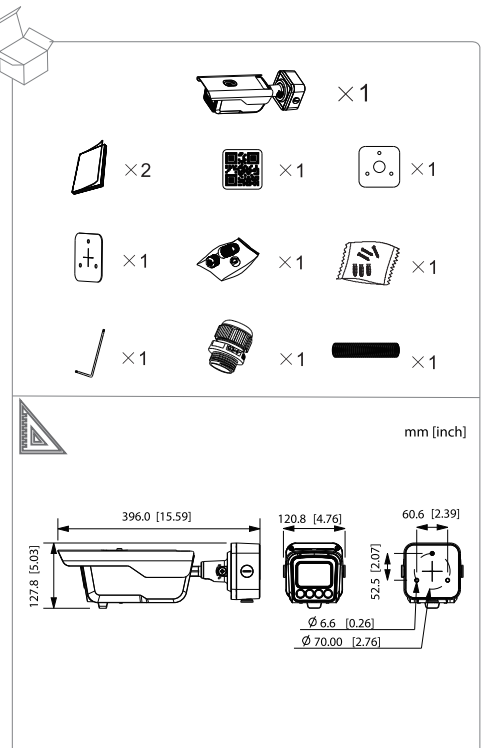


# Smart ANPR Camera

## Installation Guide

V1.0.1

1  

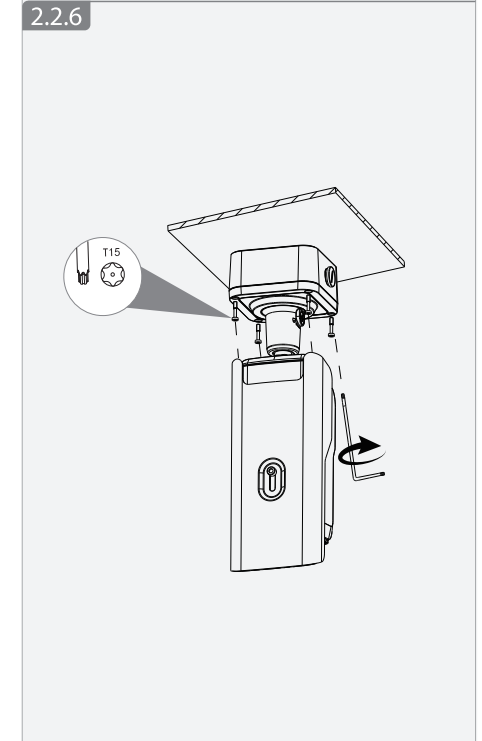
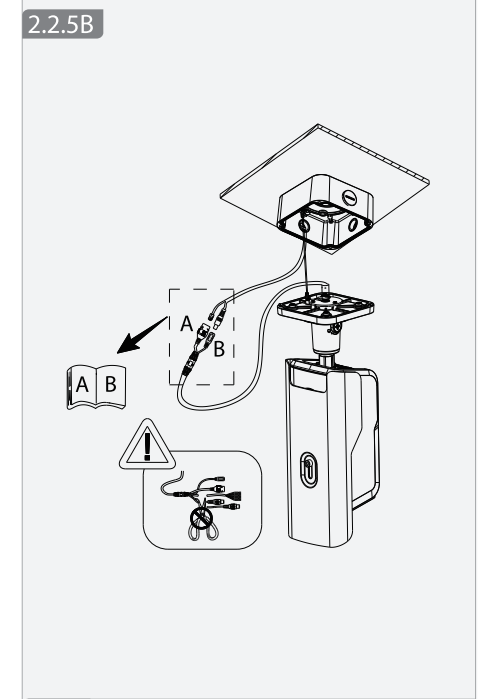
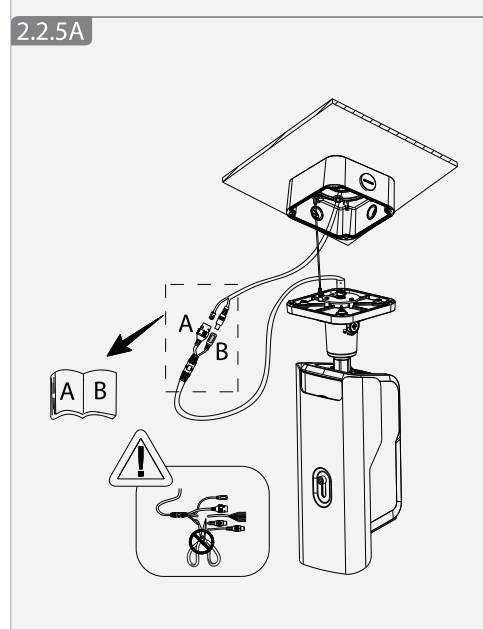
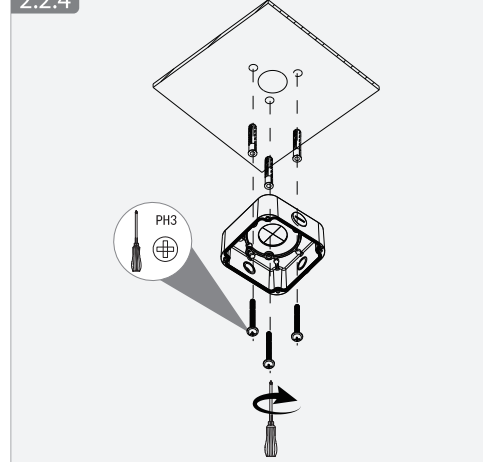
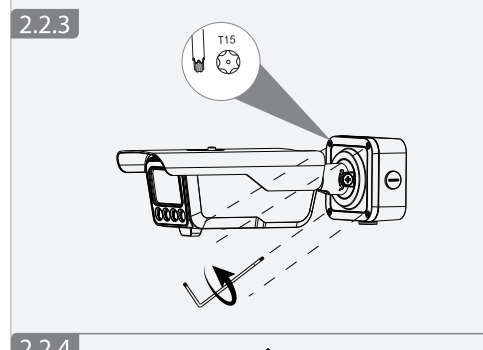
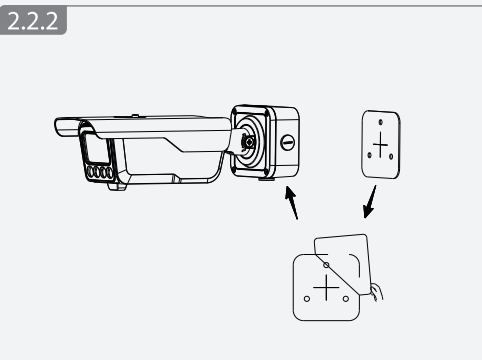
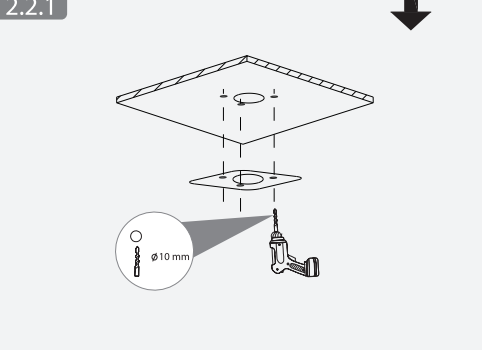
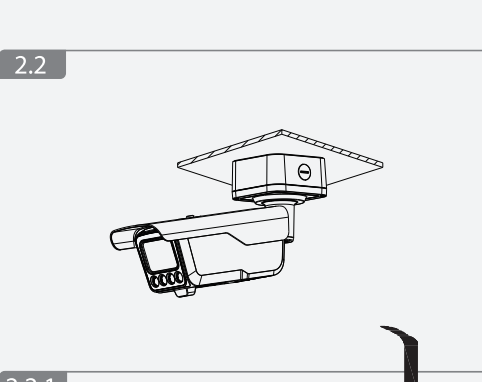
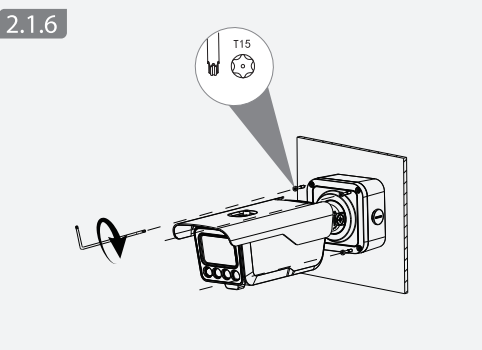
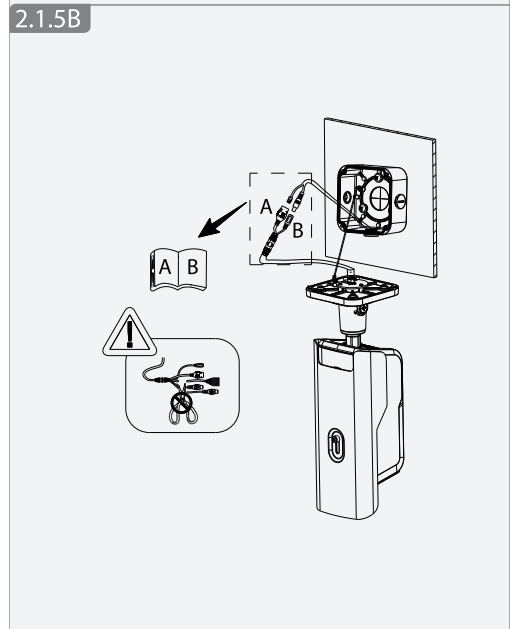
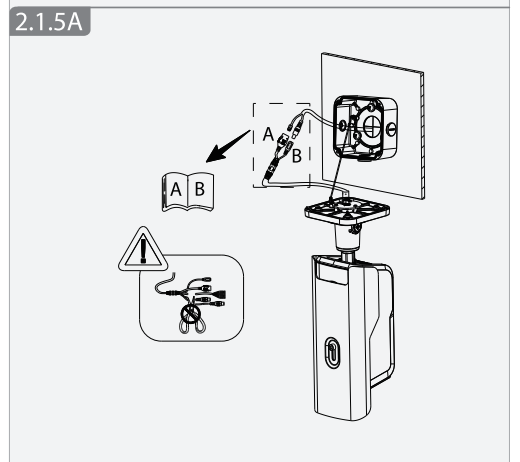
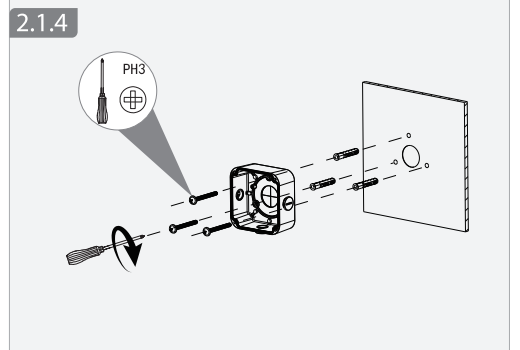
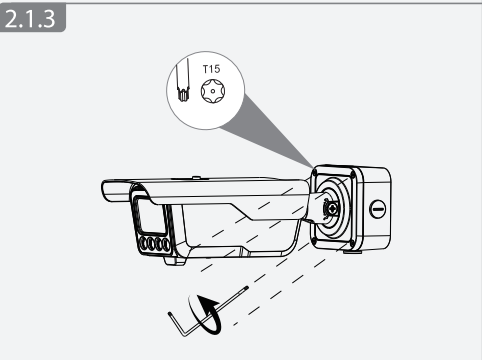
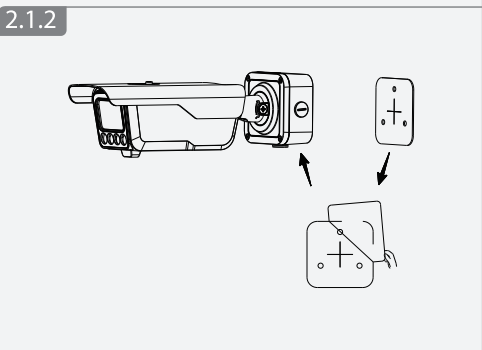
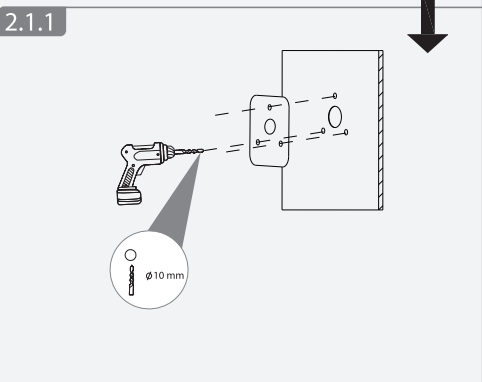
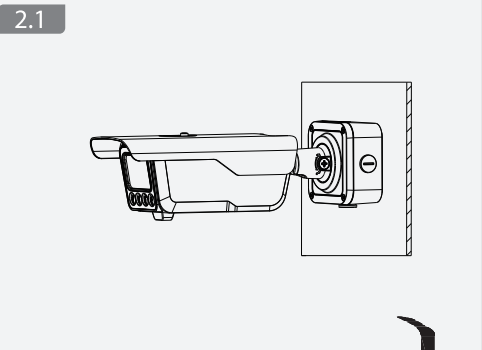
Parts list:

- Camera housing: ×1
- Mounting plate: ×2
- Mounting bracket: ×1
- Mounting screw: ×1
- Mounting nut: ×1
- Mounting washer: ×1
- Mounting cap: ×1
- Mounting pin: ×1
- Mounting ring: ×1
- Mounting sleeve: ×1

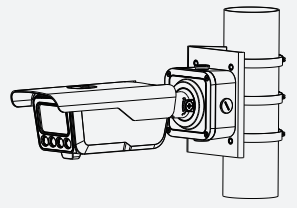
Dimensions (mm [inch]):

- Overall length: 396.0 [15.59]
- Mounting plate width: 120.8 [4.76]
- Mounting bracket height: 60.6 [2.39]
- Mounting plate height: 127.8 [5.03]
- Mounting bracket width: 52.5 [2.07]
- Mounting plate hole diameter:  $\varnothing$  6.6 [0.26]
- Mounting plate outer diameter:  $\varnothing$  70.00 [2.76]

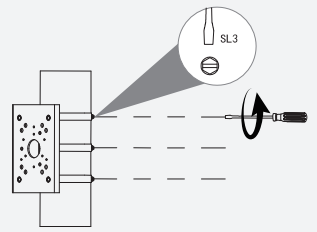
2   



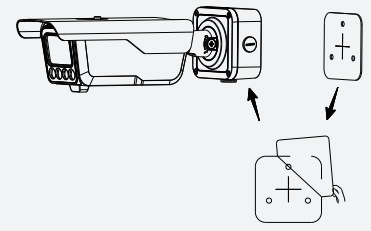
2.3



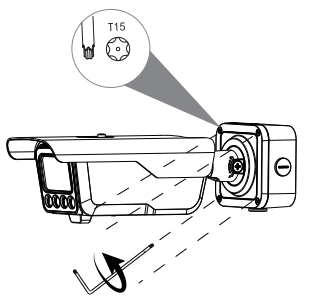
2.3.1



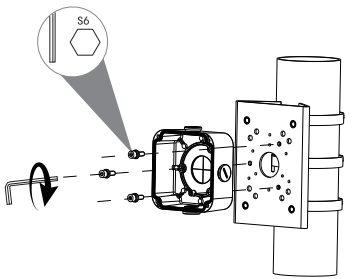
2.3.2



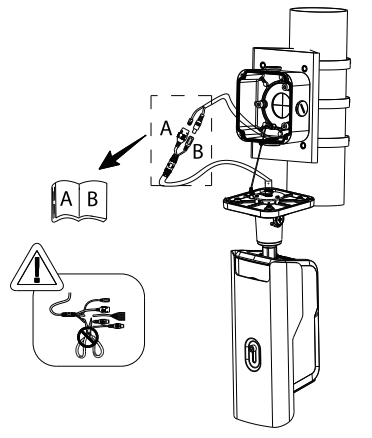
2.3.3



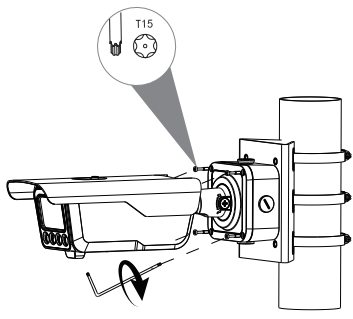
2.3.4



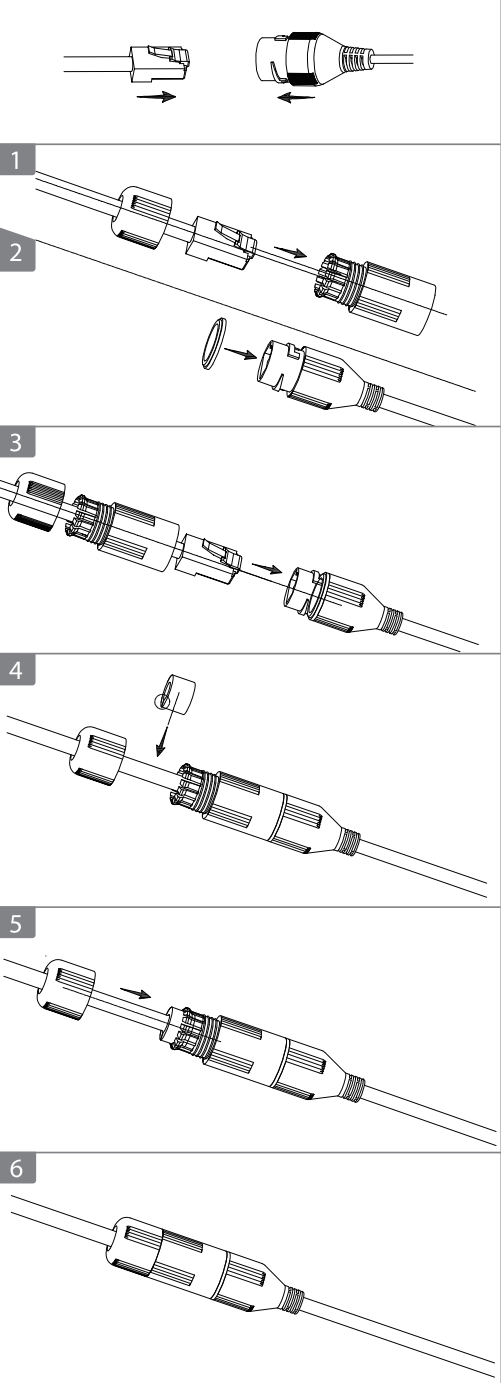
2.3.5



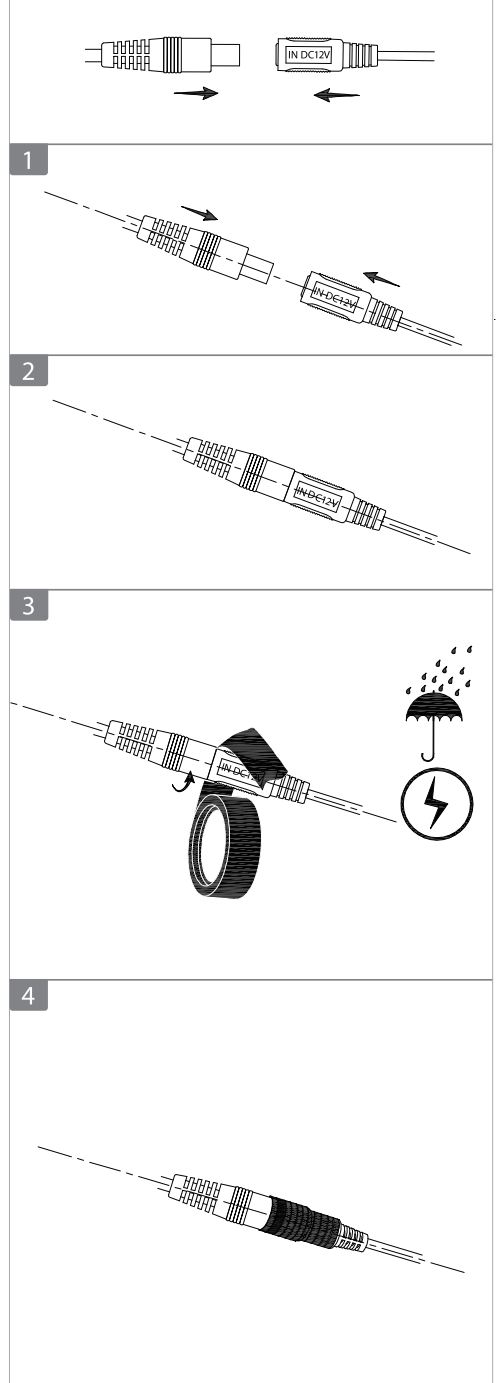
2.3.6



A



B



3

